

Main

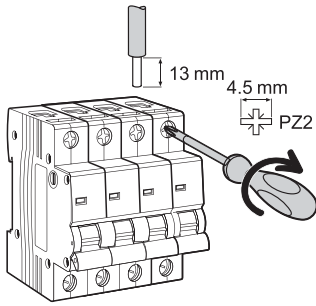
Product or component type	Miniature circuit-breaker
Device application	Distribution
Poles description	4P
Number of protected poles	4
Network type	AC
Trip unit technology	Thermal-magnetic
Curve code	B, C, D
Breaking capacity	4,5kA

Complementary

[Ue] rated operational voltage	380V/415V AC
Control type	Toggle
Local signalling	ON/OFF indication
Mounting mode	Clip-on
Mounting support	DIN rail 35mm
Colour	Grey
Endurance (O-C)	<u>Electrical</u> 10,000 cycles

Connection

Rating	Tightening torque	Copper cables	
		Rigid	Flexible or ferrule



1 to 25 A	2 N.m	1 to 25 mm ²	1 to 16 mm ²
32 to 63 A	2.5 N.m	1 to 35 mm ²	1 to 25 mm ²

Catalog numbers

Type	Width 9 mm modules			
4P	Rating (In)	B Curve	C Curve	D Curve
	1A	TOMC5-63/4/B1	TOMC5-63/4/C1	TOMC5-63/4/D1
	3A	TOMC5-63/4/B3	TOMC5-63/4/C3	TOMC5-63/4/D3
	5A	TOMC5-63/4/B5	TOMC5-63/4/C5	TOMC5-63/4/D5
	6A	TOMC5-63/4/B6	TOMC5-63/4/C6	TOMC5-63/4/D6
	10A	TOMC5-63/4/B10	TOMC5-63/4/C10	TOMC5-63/4/D10
	16A	TOMC5-63/4/B16	TOMC5-63/4/C16	TOMC5-63/4/D16
	20A	TOMC5-63/4/B20	TOMC5-63/4/C20	TOMC5-63/4/D20
	25A	TOMC5-63/4/B25	TOMC5-63/4/C25	TOMC5-63/4/D25
	32A	TOMC5-63/4/B32	TOMC5-63/4/C32	TOMC5-63/4/D32
	40A	TOMC5-63/4/B40	TOMC5-63/4/C40	TOMC5-63/4/D40
	50A	TOMC5-63/4/B50	TOMC5-63/4/C50	TOMC5-63/4/D50
	63A	TOMC5-63/4/B63	TOMC5-63/4/C63	TOMC5-63/4/D63

8

Dimensions (mm)

